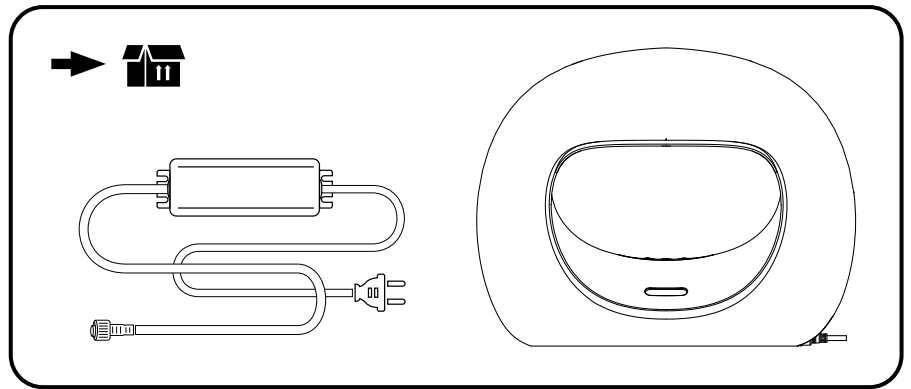


KURV BT

MANUAL



Dear customer, thank you and congratulations on the purchase of your speaker(s). If you read the following instructions and keep them, you will be able to enjoy them for a long time!

SAFETY MEASURES

- Read all instructions carefully before use.
- Check that the voltage on the type label corresponds with your mains voltage.
- Do not disassemble or modify the speaker.
- Do not place the speaker in a spot where it is continuously exposed to sunlight or near an open fire like a wood-burning stove, burning candles, etc.
- Never expose the speaker to high temperatures, dusty environments or strong vibrations or influences.
- Protect your ears. Listening to a high volume for longer periods may lead to permanent hearing loss.
- The speaker may only be repaired by qualified service technicians.
- The speaker is splashproof. Do not plunge the speaker in water as this leads to permanent damage.
- Do not expose the speaker to water while charging.

COMPATIBILITY

- This product is compatible with mobile phones and Bluetooth-enabled devices.

OPERATION

Turn on/off

Press and hold the on/off button (⏻) for at least 5 seconds to turn on the Kurv. Press and hold the on/off button briefly to turn off the Kurv.



PAIRING

After switching on the Kurv, it will first go into **TWS pairing mode**. This is indicated by a rapidly flashing green LED indicator ✨.

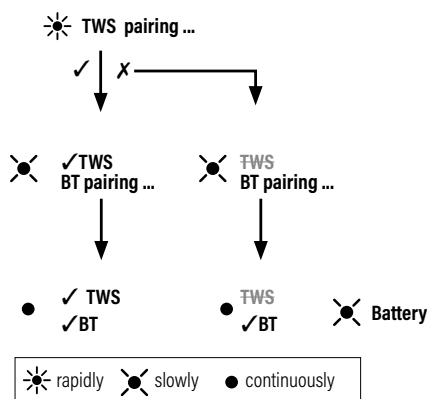
A 2nd Kurv, if you have one, (which should also be in **TWS pairing mode**) can now pair itself automatically. This TWS pairing mode lasts for 20 seconds.

Bluetooth pairing mode

After 20 seconds, the Kurv will switch to the Bluetooth pairing mode. The indicator LED will slowly blink green ✨ when the speaker was successfully paired before. If a previous TWS pairing was unsuccessful, or when using one unit, (Kurv plays standalone), the LED indicator will slowly blink blue ✨.

The Kurv is now waiting to be paired with an external playback device

The LED indicator lights up green continuously ● (TWS active), or blue ● (standalone) when the Bluetooth connection is successful and active.



EMPTY BATTERY

When the internal battery level drops below 10%, a warning sound will be heard once and the LED indicator will blink red ✨ until the Kurv is sufficiently charged again.

The battery charges automatically when you reconnect it to the power brick and plug it into the mains socket. Once fully charged, the LED indicator turns blue

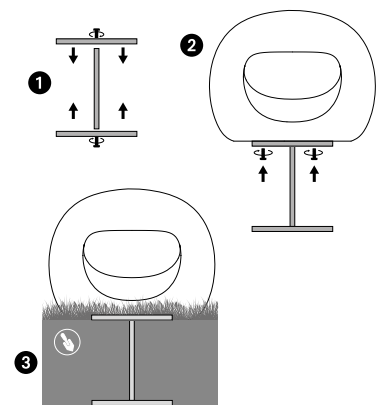
UNPAIRING PRODUCTS

- Disconnect the currently paired playback device: briefly press and hold the BT button. The Kurv then returns to Bluetooth pairing mode.
- Go back to the TWS pairing mode: press and hold the BT button for at least 5 seconds. The Kurv then goes back to the TWS pairing mode for 2 minutes before returning to the BT pairing mode.
- To clear the list of paired Bluetooth devices: press and hold the power button (⏻) for at least 5 seconds when the Kurv is already turned on.
- Resetting the Kurv: briefly press and hold the reset button.

STANDBY

When the Kurv is not actively connected with a device (via Bluetooth), it will turn off automatically after 15 min to avoid unnecessary battery/power consumption.

OPTIONAL (SUPPORT KURV)



TECHNICAL SPECIFICATIONS

- < 100m² range
- 2-way active system
- 5,25" polypropylene woofer
- 0,75" silk dome tweeter
- amp power RMS : klasse D, 20 W
- amp power max. : klasse D, 10 W - 100 W
- 85 dB
- 6 impedance
- 60 Hz - 20 kHz frequency range
- True Wireless (TWS) stereo connection
- Bluetooth 5,0
- 2600 mAh (10 u) battery
- 308 x 391 x 212mm (h x w x d)
- 5,06kg / piece
- composition : LLDPE plastic / aluminium grill
- waterproof (IP66)

WARRANTY CONDITIONS

2 years of warranty from the manufacturing date. The warranty is limited to repair or exchange of the defective material insofar this is a consequence of normal use and the device has not been damaged. ArtSound is not responsible for any other costs deriving from the defect (e.g. transport). For any details, we refer to the general conditions of sale.



Waste electrical products should not be disposed of with household waste. All electronic products with the WEEE logo must be collected and sent to approved operators for safe disposal or recycling. Please recycle where facilities exist. Many electrical/electronic equipment retailers facilitate "Distributor Take-Back scheme" of household WEEE. Check with your Local Authority or retailers for Designated Collection Facilities (DCF) where consumers may dispose of their WEEE free of charge."